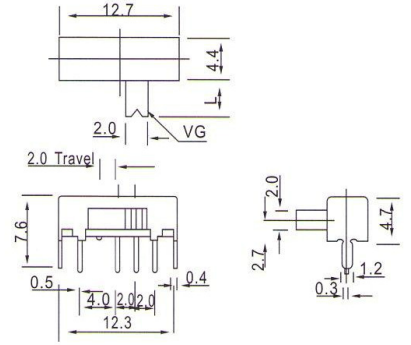
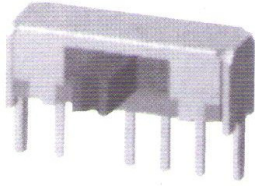
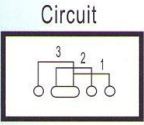
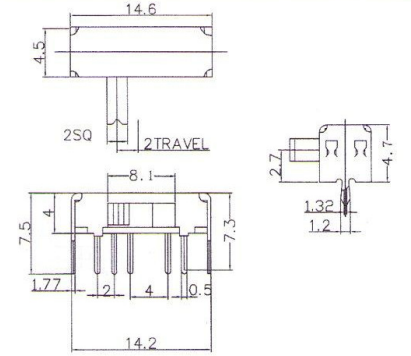
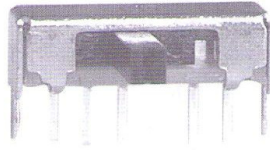
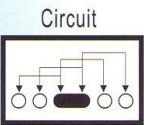


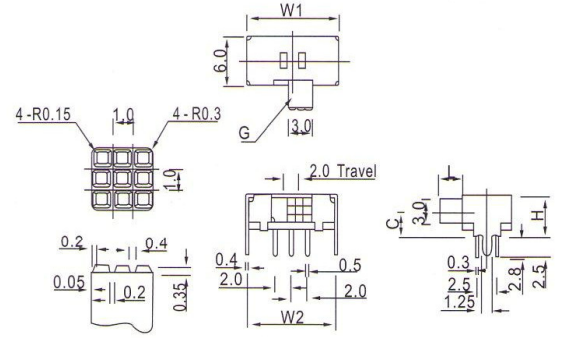
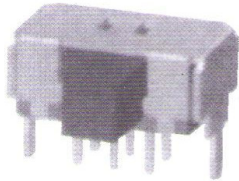
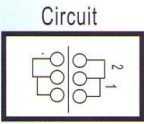
| | |
|-------------|-------------|
| Part No. | SK-13D01 |
| Circuit | 1P 3T |
| Rating | DC 30V 0.3A |
| Timing | Shorting |
| Knob Length | VG 2-12 |



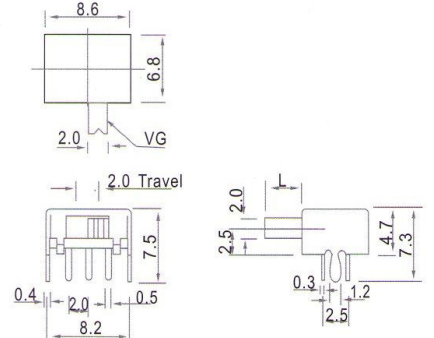
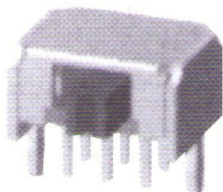
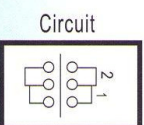
| | |
|-------------|-------------|
| Part No. | SK-14D07 |
| Circuit | 1P 4T |
| Rating | DC 30V 0.3A |
| Timing | Shorting |
| Knob Length | VG 2-12 |



| | | | | |
|-------------|-------------|--------------|-----|-----|
| Part No. | W1 | W2 | C | H |
| SK-22D02 | 11.4 | 11.0 | 3.0 | 5.0 |
| SK-22D03 | 10.8 | 10.4 | 3.2 | 5.2 |
| Circuit | 2P 2T | | | |
| Rating | DC 30V 0.3A | | | |
| Timing | S | Shorting | | |
| | N | Non-Shorting | | |
| Knob Length | G | 2 - 9 | | |



| | | |
|-------------|-------------|--------------|
| Part No. | SK-22D07 | |
| Circuit | 2P 2T | |
| Rating | DC 50V 0.3A | |
| Timing | S | Shorting |
| | N | Non-shorting |
| Knob Length | VG 2-9 | |



| | | |
|-------------|--------------|--------|
| Part No. | SK-22F01 | |
| Circuit | 2P 2T | |
| Rating | DC 50V 0.5A | |
| Timing | Non-shorting | |
| Knob Length | G | 2 - 16 |
| | T | 4 - 16 |
| | M | 7 - 16 |

